

SPECIFICATIONS TABLE		
SPEC.	60Hz	50Hz
VOLTAGE	120 / 240	220
AMPERAGE	6 / 4	6
GEAR MOTOR HP	(1/40) / (1/34)	1/34
SHIPPING WT.	182 LBS	182 LBS

INSTALLATION REQUIREMENTS & NOTES:

CMAFU-2 UNITS ARE SHIPPED PREASSEMBLED AS ILLUSTRATED. CMAFU-2 UNITS ARE AVAILABLE WITH STATIONARY METAL STANDS OR EQUIPPED WITH LOCKING CASTERS FOR MOBILITY.

1. SPACE REQUIREMENTS

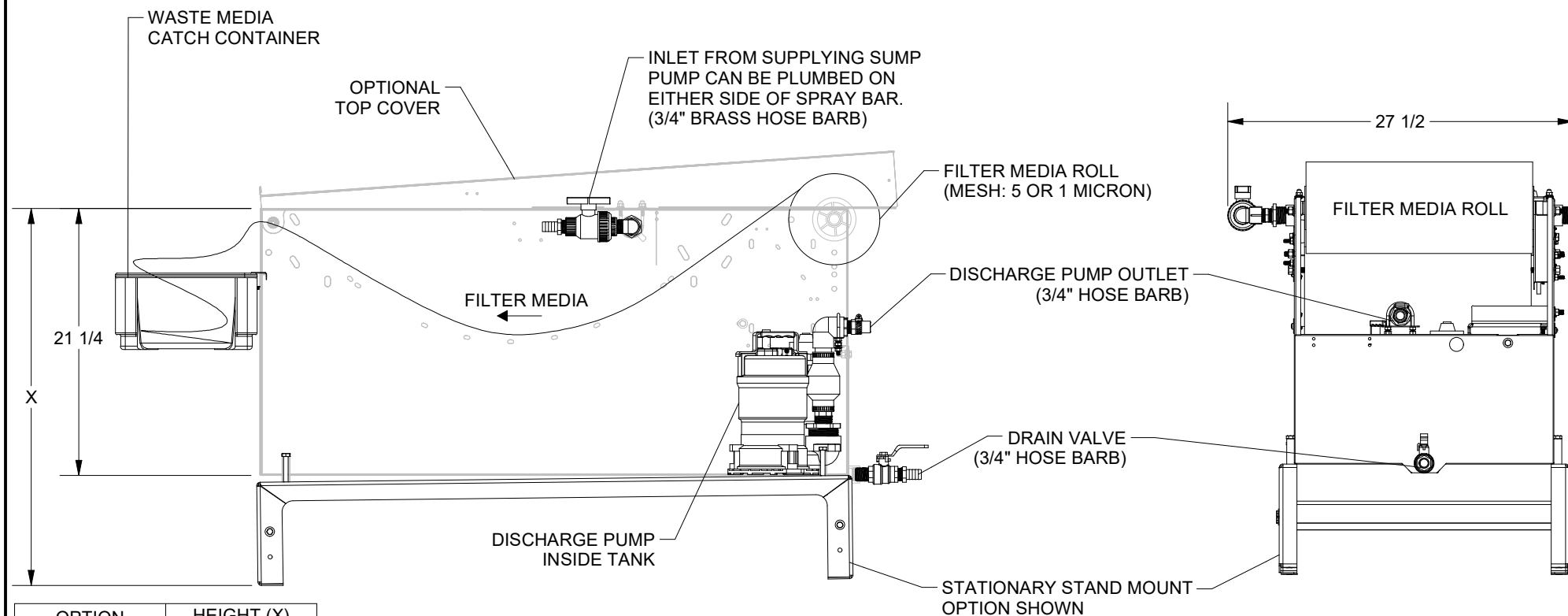
PROVIDE MIN. 36" IN FRONT OF CONTROL BOX; PROVIDE A MIN. 6 - 8 INCHES ON THE SIDE NEAREST TO A WALL. ENOUGH CLEARANCE SHOULD BE PROVIDED FOR CONNECTING INLET AND OUTLET HOSES AND FOR SERVICE.

2. PLUMBING & ELECTRICAL REQUIREMENTS

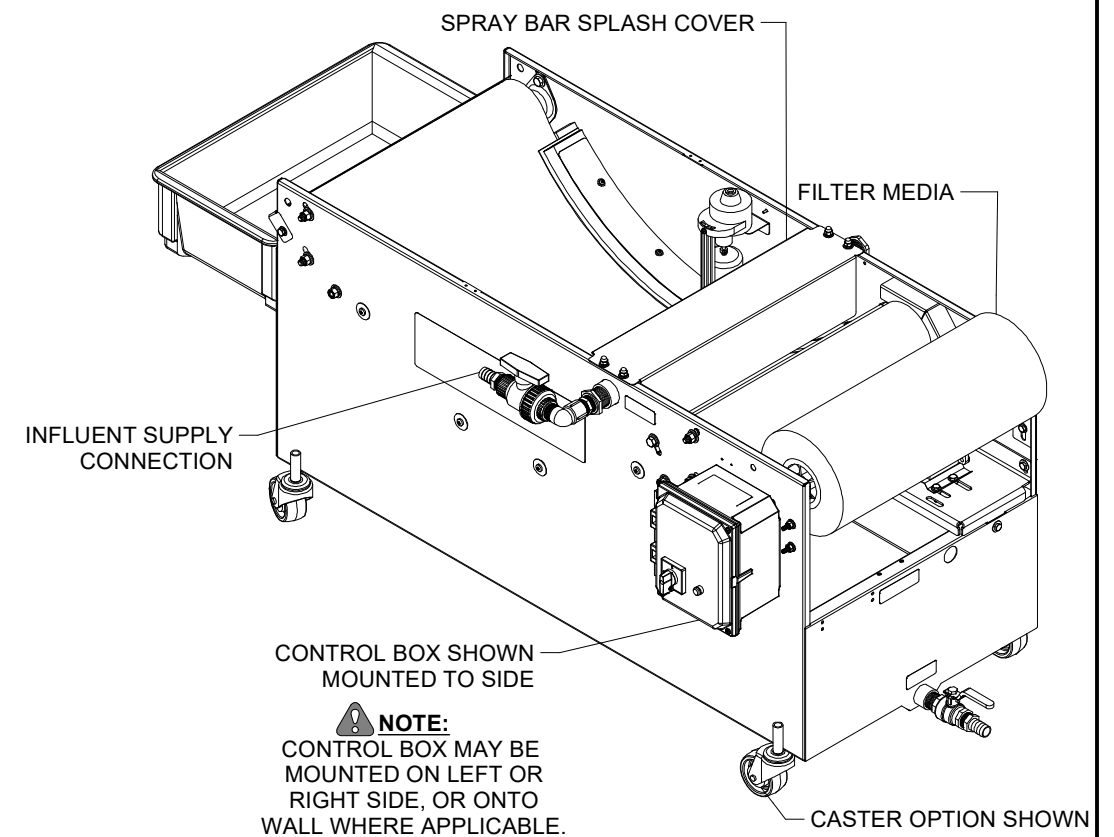
PIPE & CONDUIT RUNS TO CMAFU-2 LOCATION TO TERMINATE WITHIN LIMITS OF PROVIDED 8 FT. LENGTH CONNECTION HOSES (WHIPS). ALL FLUID PIPES MAY BE SCH40 PVC, OR GALV. STEEL. ALL CONDUIT RUNS TO BE TERMINATED IN A GANG BOX IN CLOSE PROXIMITY TO CMAFU-2 CONTROL BOX OR AS DETERMINED BY QUALIFIED ELECTRICIAN. THE CMAFU-2 IS PROVISIONED FOR MOUNTING THE CONTROL BOX ON EITHER SIDE OF THE TANK. ALTERNATELY, THE CONTROL BOX MAY BE MOUNTED ON A WALL DIRECTLY ADJACENT TO THE UNIT IF THE FLEX CORD LENGTH IS SUFFICIENT.

FLEX-CONDUIT SIZE & LENGTH FOR CONNECTING TO CONTROL BOX TO BE DETERMINED AND PROVIDED BY QUALIFIED ELECTRICIAN. ELECTRICIAN TO ALSO LOCATE AND DRILL INTO BOTTOM OF CONTROL BOX TO SECURE FLEX-CONDUIT USING APPROPRIATE WATERTIGHT FLEX-LINE FITTINGS. USE PROVIDED ELECTRICAL DIAGRAM(S) TO MAKE CONNECTIONS.

INFLUENT (SUPPLY) WATER FROM A SUMP, OR UPSTREAM EQUIPMENT, IS TO BE SECURED TO THE 3/4" BRASS BALL VALVE ON THE SIDE OF THE TANK. TANK DRAIN VALVE SHOULD BE SECURED INTO A DRAIN LINE TO SEWER OR TO A COMMON DRAIN LINE ROUTED BACK TO A HYDROPAD GUTTER (IF EQUIPPED). DISCHARGE PUMP IN CMAFU-2 WILL BE CONNECTED TO SUPPLY DOWNSTREAM EQUIPMENT FOR ADDITIONAL FILTRATION.

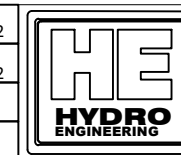


OPTION	HEIGHT (X)
W/ STAND	30"
W/ CASTERS	25 1/2"



UNLESS OTHERWISE INDICATED:
DIMENSIONS ARE IN INCHES.
REMOVE ALL BURRS & SHARP EDGES.
TOLERANCES AS FOLLOWS:
± .1" ON ANGLES

DRWN	RRG	DATE	09/09/22
REVISED	RRG	DATE	09/13/22
APPR		DATE	
DESIGNER(S)	RRG		



DWG TITLE	CMAFU-2 HYDROKLEEN FILTRATION SYSTEM	
DESIGNER	HYDRO ENGINEERING INC.	PROJECT / DWG TYPE
	865 W. 2600 S., SALT LAKE CITY, UT 84119	DIMENSIONAL SPECIFICATIONS

DWG FILE: W:\CAD\SPCS\HK\CMAFU-2\

VAULT FILE

SDCMAFU-2.idw

DWG P/N:

SDCMAFU-2